

loop powered CURRENT TRANSDUCERS analog output

0.1 to 8000 AMPS

Any Primary Current Value!

Z-TRAUQ current transducers are used in conjunction with our exhaustive array of current transformers both solid and split core. We have the style, size, accuracy and amperage rating to fit any application.

Find the complete list at:

www.z-trauq.com/ctpg.html

Select the model whose physical dimensions, mounting style and accuracy suits the application followed by the primary amps then 20mA.

eg. CT4FSH800:20mA

This example details a flexible split core CT that has a 106.7mm (4.2 in.) window for an 800 amp circuit with a 4 - 20 mA output.

Solid Core



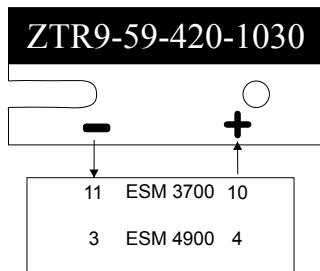
Typical W/D

All of our ESM process indicators have integrated DC power supplies that develop the necessary loop power. The auxiliary power can be 24Vac/dc or 100 to 240Vac (must be specified when placing order).

ESM 3700



Use only with original Z-TRAUQ INC. current transformers



ESM 4900

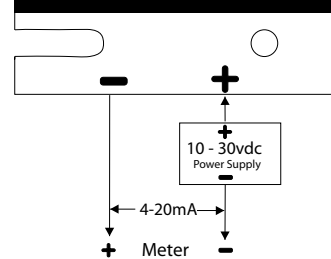
No Aux Power? No Problem!

In cases where only the loop powered 4-20mA dc is available, our S315 uses it as the signal to interpret as well as to light up the display. Same wiring as an analog meter. Of course we have a huge range of those, too. Please visit:

<http://www.z-trauq.com/panelmeters.html>

Use only with original Z-TRAUQ INC. current transformers

ZTR9-59-420-1030



S 315

Common Uses

Secondary outputs from current transformers are weak; hence, the distance between it and the meter should be kept as short as possible, typically less than 60 cm (24 in).

Using a Z-TRAUQ current transformer having a 4-20mA DC output insures accuracy over much greater distances. These transducers can be used to send a signal to an analog meter,

PLC, SCADA system or any other device requiring a 4-20mA reference.

Acceptable loop power is 10 to 30VDC.

Our ESM displays can be scaled and the SPDT output can be used either as an alarm or part of the control circuit either stopping, inhibiting or starting another piece of equipment.

The ESM 4900 (48H x 96W mm)

is part of a series of indicators offered in several DIN sizes including 1/16 (48 x 48), 1/8 (72 x 72) and 1/4 (96 x 96) mm. All have the expansibility of the ESM 4900. So, if you require additional outputs, whether relay, SSR, transistor or analog, this is the ideal series. These can also be connected to our data logging software via the standard RS 232 or optional RS 485 com port.

Split Core

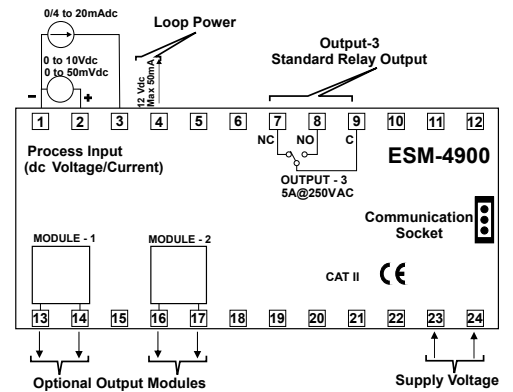
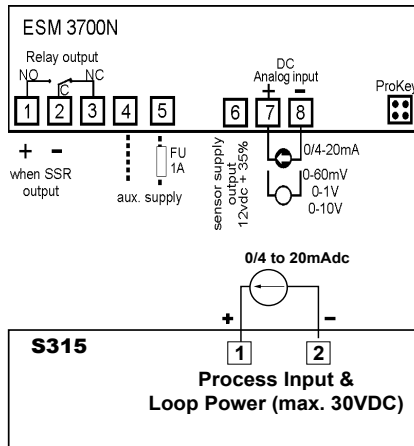


DIGITAL AC/DC AMMETERS

Features

- Large 4 digits display
- Scale from -1999 to 9999
- Moveable decimal point
- SPDT relay output (ESM 3700 & 4900)
- Additional outputs for ESM 4900
- Manual or Automatic reset from fault
- User adjustable Low & High limits
- Password protection
- LED status indicators
- Dual and multi-point scaling (ESM 4900)
- Teach function (ESM 3700)
- Display last measurement or average of last 2, 4, 8 or 16 measurements (ESM 3700)

Terminal Layout



Specifications

ESM 3700N

Dimensions:..... 35H x 77W x 62.5D mm
 1.4H x 3.0W x 2.5D in
 Display:..... 4 LED, 10mm (0.4 in) tall
 Humidity:..... 0 to 90% RH non condensing
 Operating Temp.:..... 0 to 50°C
 Consumption:..... 1.5VA
 Protection:..... Nema 1; NEMA 4X with optional gasket # SG77

ESM 4900

Dimensions:..... 48H x 96W x 76D mm
 (1.9H x 3.8W x 3.0D in)
 Display:..... 4 LED, 20.3mm (0.8 in) tall
 Humidity:..... 0 to 90% RH non condensing
 Operating Temp.:..... 0 to 50°C
 Consumption:..... 6VA
 Protection:..... Nema 4X
 Communication:..... RS232 Modbus/RTU or optional RS485

S 315

Dimensions:..... 48H x 96W x 40D mm
 (1.9H x 3.8W x 1.6D in)
 Display:..... 4 LED, 20.3mm (0.8 in) tall
 Humidity:..... 0 to 90% RH non condensing
 Operating Temp.:..... -10 to 65°C
 Voltage Drop:..... 7V
 Protection:..... Nema 4X

Ordering Information

Complete the model number with the appropriate suffix.

eg. ESM 3700-42001 for a process indicator requiring 120vac supply voltage and having a SPDT relay output.

ESM 3700N

A	BC	D	E
<input type="checkbox"/>	<input type="checkbox"/>	<input type="checkbox"/>	<input type="checkbox"/>

 For SSR output max 28mA, 15vdc E=2

A	Supply Voltage
2	24 Vac/dc (-15% +10%) 50/60 Hz
4	115 Vac (±15%) 50/60 Hz
5	230 vac (±15%) 50/60 Hz

S 315

You need only specify the catalogue number S315.

Distributed by:

Complete the model number with the appropriate suffix.

eg. ESM 4900-12011/02.04 for a process indicator requiring 120vac supply voltage and having a SPDT relay, a SSR and analog output. For RS485 change D to 2.

ESM 4900

A	BC	D	E	FG	HI
<input type="checkbox"/>	<input type="checkbox"/>	<input type="checkbox"/>	<input type="checkbox"/>	<input type="checkbox"/>	<input type="checkbox"/>

A	Supply Voltage
1	100 - 240 Vac (-15% +10%) 50/60 Hz
2	24 Vac/dc (-15% +10%) 50/60 Hz

FG & HI	Description	Product code <small>when ordered separately</small>
00	None	
01	Relay 3A@250vac	EMO 400
02	SSR 15-18vdc 50mA	EMO 410
03	Transistor 24vdc 50mA	EMO 420
04	volt/current 0/4-20mA, 0-5/10vdc	EMO 430

For DC applications

Use one of our T201-100 for DC loads up to 100 amps that can be used with any of the indicators cited above. Our T201DCH300 can be used on circuits up to 300ADC in conjunction with any of the ESM indicators. For higher amperages, we offer shunts that can also be used with all of our ESM products. Specify the primary current rating for your Shunt and whether base mounted or not.



Please visit www.z-trauq.com/shunts.html

The ESM 4900 can be fitted with two additional outputs: dry contact, SSR, transistor and analog.